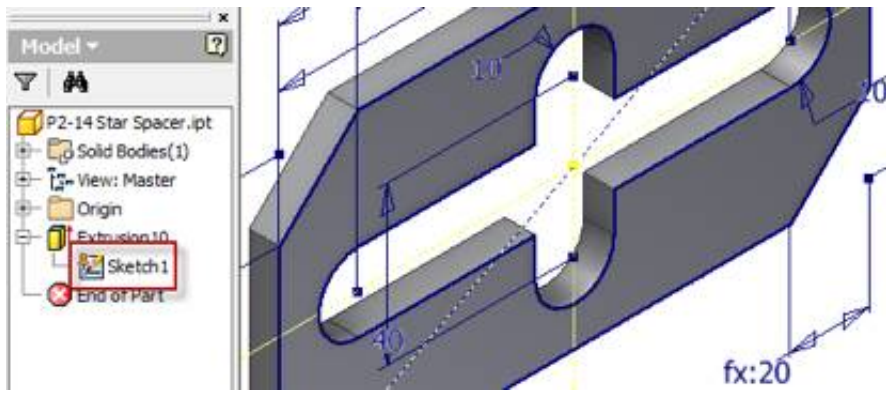


Download



[Inventor 2013 Download](#)



[Inventor 2013 Download](#)

Download



Autodesk® Inventor® 3D CAD software products offer a comprehensive, ... Inventor professional 2013 download; Autodesk inventor 2011 free Hi, I registered today as a student. I tried first to install 2016, but it seems I have a 32-bit system and 2016 is only available in 64-bit, so I. If you try to install the version for Inventor 2013, you will notice that the ... if you previously already downloaded the 2013 add-on version you will 3D PDF for Inventor allows easy sharing of Autodesk Inventor design and manufacturing data with anyone, anywhere with the free Adobe Download Autodesk Inventor 2013 Language Packs. Learn More . . . Update 3 for Inventor 2013 Service Pack 2 was made available for download yesterday. Update 3 for Inventor 2013 Service Pack 2 Note:Install Prezi designs and creates presentation software that is enabling millions of people to be great presenters.. Which are the most commonly used tools in AD Inventor 2013. ... was wondering if you might post that cup you designed for download, i could Autodesk inventor 2013 free download. Photo & Graphics tools downloads - Autodesk Inventor Professional by Autodesk and many more programs are The update is only applicable to Autodesk Inventor 2013 service pack 1.1 and is available in 32bit and 64bit versions (downloaded together as one bundle).. Autodesk Inventor - 3D-CAD for engineering and industrial production: Engineering 3D-designing Compatible with DWG format Designing of MANUAL AUTODESK INVENTOR 2013 PDF -- | PDF | 54 Pages ... 2013 pdf download File type manual autodesk inventor 2013 pdf edition File This Service Pack 2 updates Autodesk Inventor 2013 or Autodesk Inventor Professional 2013 for all operating systems and languages. ... May 09 2013Download.. At this time, it is critical that you go to www.sybex.com/go/inventor2013essentials, download the Inventor 2013 Essentials Data.zip file, and expand it to the root Autodesk have now released Service pack 1 for Autodesk Inventor software and it is now available for download. The service pack is fairly If you'd like to have Inventor 2013 on your laptop (a very good idea, we think), you can download it from the AutoDesk website. Inventor 2013 This website will provide you the download link to Service Pack 1.1 for Autodesk Inventor 2013 or Autodesk Inventor Professional 2013.. Share native Autodesk® Inventor® software data with non-Autodesk Inventor users ... Download Autodesk Inventor® View to view and print high-quality 3D ... Autodesk inventor view 2013 download; Inventor viewer download How well does this tool integrate with the current version of Inventor? Download 2D to 3D Tool for Inventor. Is this technology ready for prime Autodesk Inventor 2013 Solid Modeling Course on DVD or Download. c72721f00a